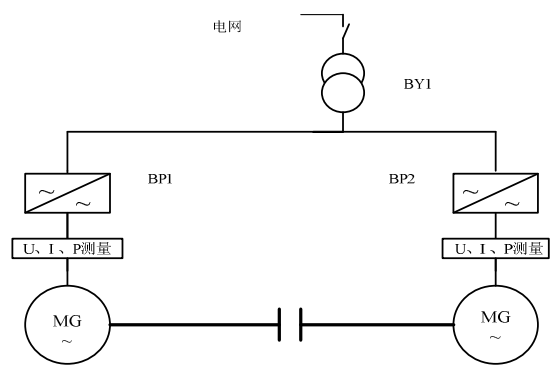


---

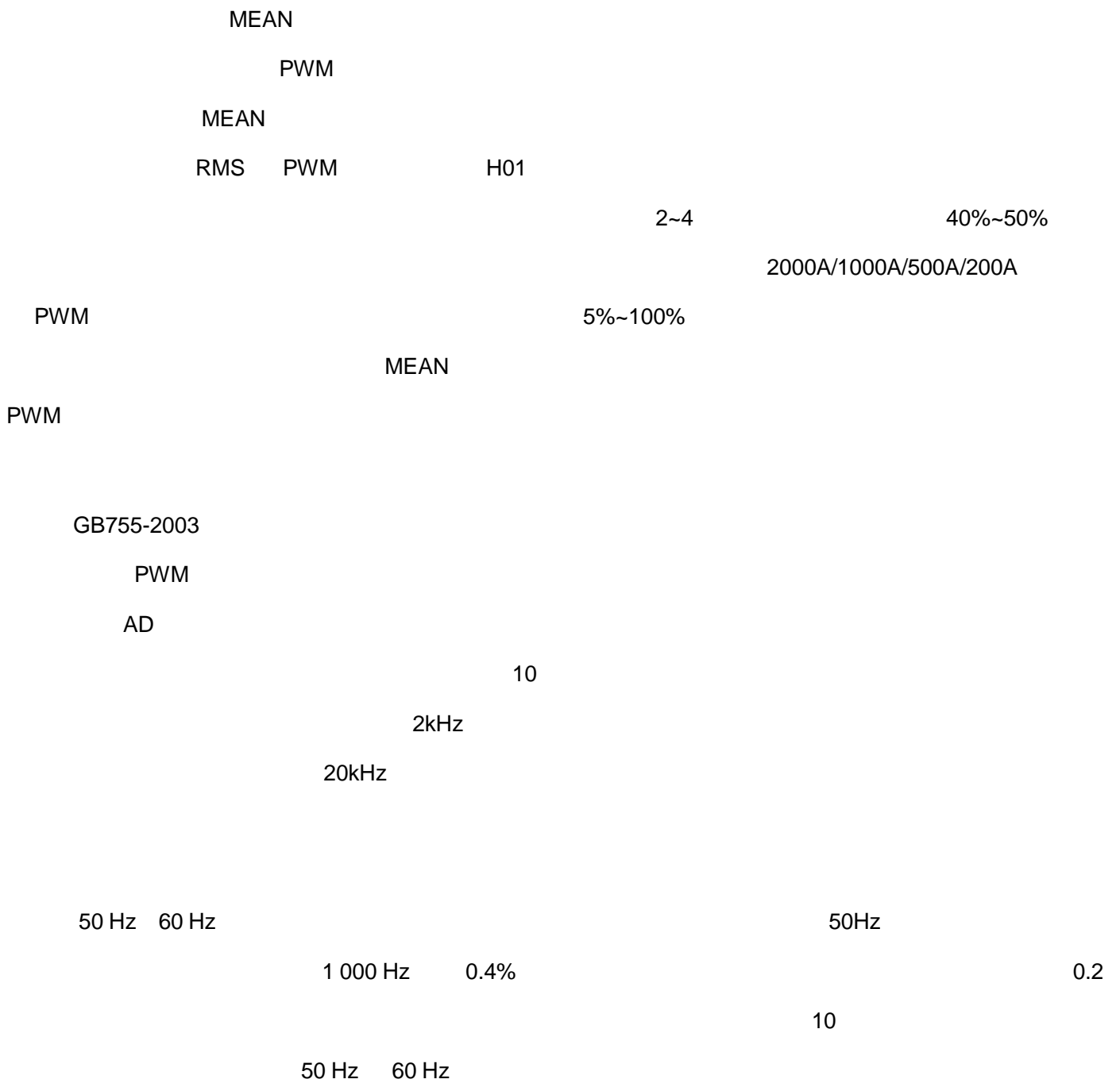
He Yuan<sup>1</sup>, Li Qinglian<sup>2</sup>

1



c

GB1032-2005



|        |             |              |                                    |          |         |       |
|--------|-------------|--------------|------------------------------------|----------|---------|-------|
|        |             |              |                                    | 0.7%+    | 0.3%    |       |
|        |             |              |                                    |          | PWM     |       |
|        |             |              | 500Hz                              |          |         |       |
|        | 8.5Hz       | 5.1.3        |                                    |          | 1833.4A |       |
|        |             | 3.4Hz        |                                    |          |         |       |
|        |             |              | 10.50A                             |          |         | 1.5   |
|        | YOKOWAGA    |              | 2750.1A                            |          |         |       |
| WT3000 |             |              |                                    |          | 262     |       |
| 0.1Hz  |             | WT3000       |                                    |          |         | 3000A |
|        |             |              | 10A                                | 7        |         |       |
| 1      |             |              | 3000A/1000A/500A/200A/100A/50A/20A |          |         |       |
|        | PLL         |              |                                    |          |         |       |
|        | 10Hz~2600Hz |              |                                    | Denfysik |         |       |
|        | PLL         | 3000         |                                    | 50ppm    |         | 5ppm  |
|        |             | 0.1Hz~66Hz   | 10V                                | 3000A    | 10A     |       |
| 2      | IEC         |              | 3.333mV                            |          |         |       |
|        |             | 45Hz~66Hz    |                                    |          |         |       |
| 3      |             |              |                                    |          |         |       |
|        |             | 10Hz~2600Hz. |                                    |          |         |       |
|        |             |              | PLL                                |          |         |       |
| 3000   |             |              |                                    |          |         |       |
|        |             | 3.4Hz        |                                    |          |         |       |
|        | 10.2ksp/s   |              |                                    |          |         |       |
|        | 5.1kHz      | 500Hz        | 5.5kHz                             |          |         |       |
|        | 500Hz       |              |                                    |          |         |       |

---