



VSV113-G280T12-N

V1.2



1.

VSV113-G280T12-N

2.

-
-
-
-
-
-
-
-

3.

-
-
-
- MRI
-
-
-

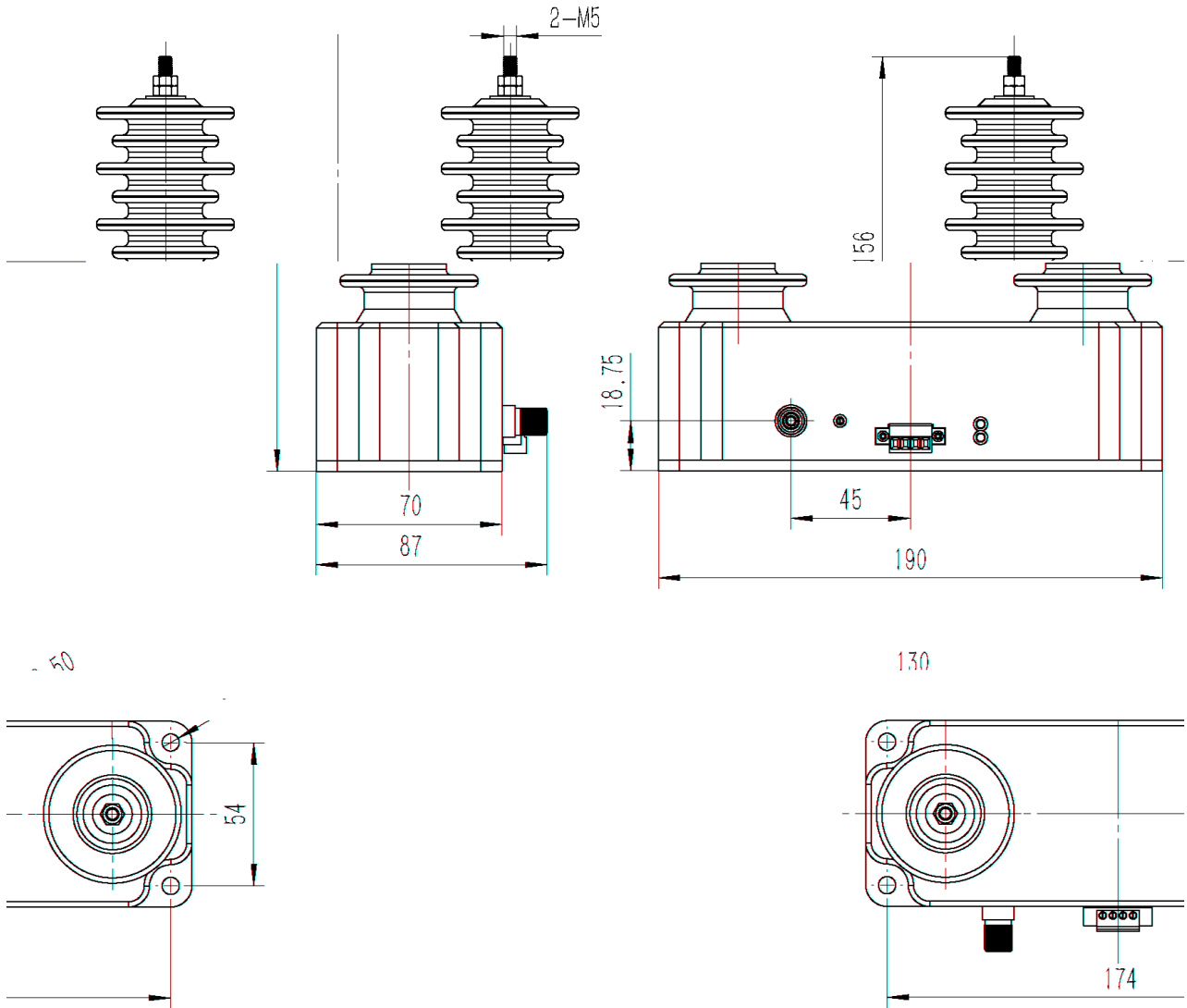
4.
 T_A
 $U_C=220V/50Hz \quad R_M=7.5k$

| (AC rms) | U_{PNAC} | -- | -- | 11000 | -- | V |
|----------|------------|-----------|----------|----------|-------|-----|
| (DC) | U_{PNDC} | -- | -11000 | -- | 11000 | V |
| | U_{POL} | 1 | -20000 | -- | 20000 | V |
| (AC) | U_C | | -- | 220 | -- | V |
| | I_C | U_{POL} | -- | ± 50 | -- | mA |
| | K_N | | 20000:10 | | | V/V |
| | U_S | U_{POL} | -- | ± 10 | -- | V |
| | R_M | | 7.5 | -- | -- | k |
| | X_e | | -- | 0.1 | -- | % |
| | | 50Hz | -- | 5 | -- | |
| | L | -- | -- | -- | 300 | V/V |

 U_o

6.

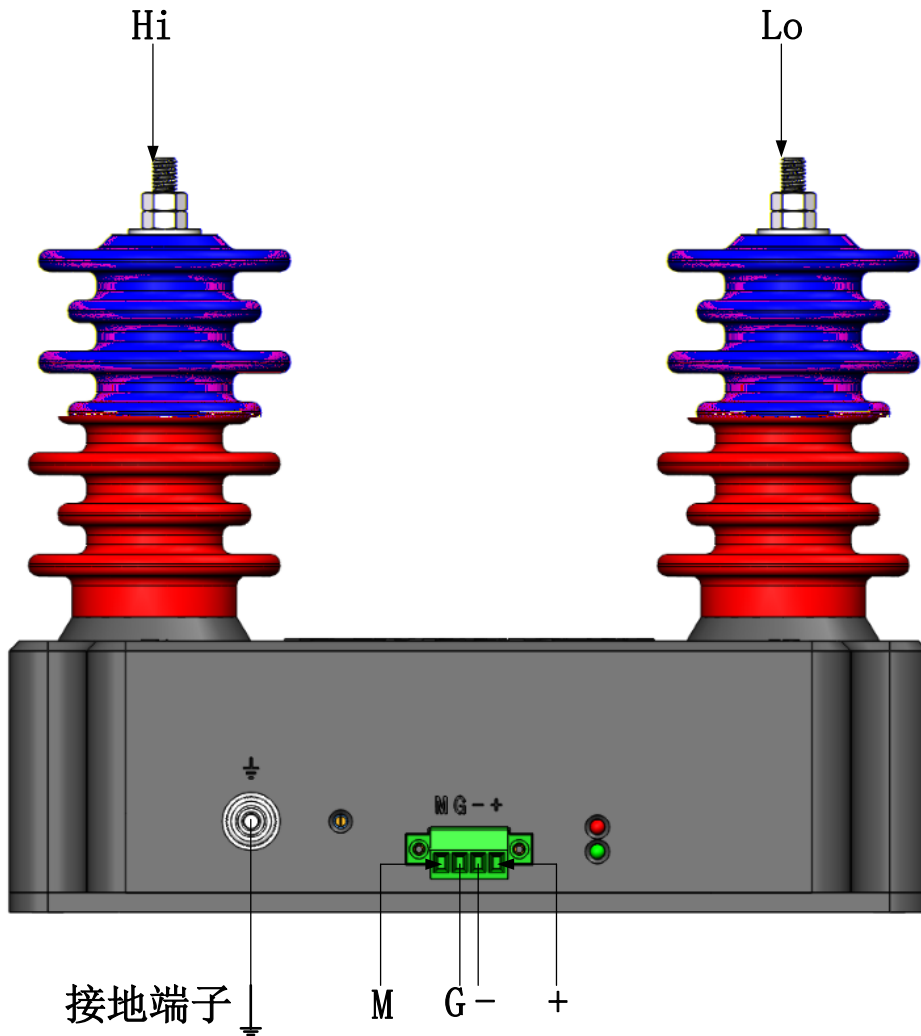
6.1. (mm)



1

GB/T1804-2000 C

6.2.

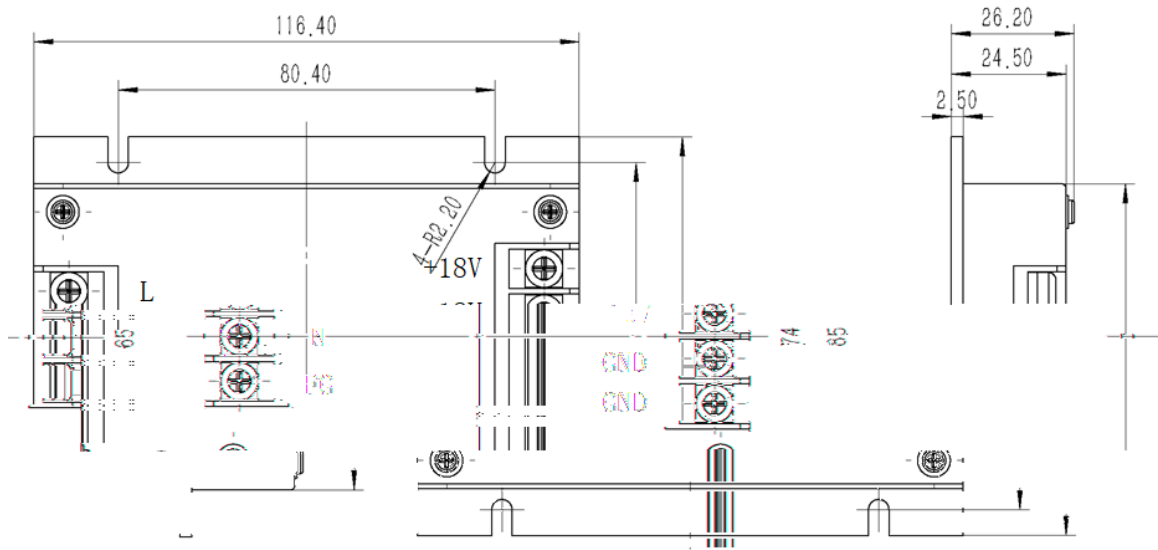


2

- 4
- +
-
- G COM
- M U_s

-
- Hi
- Lo

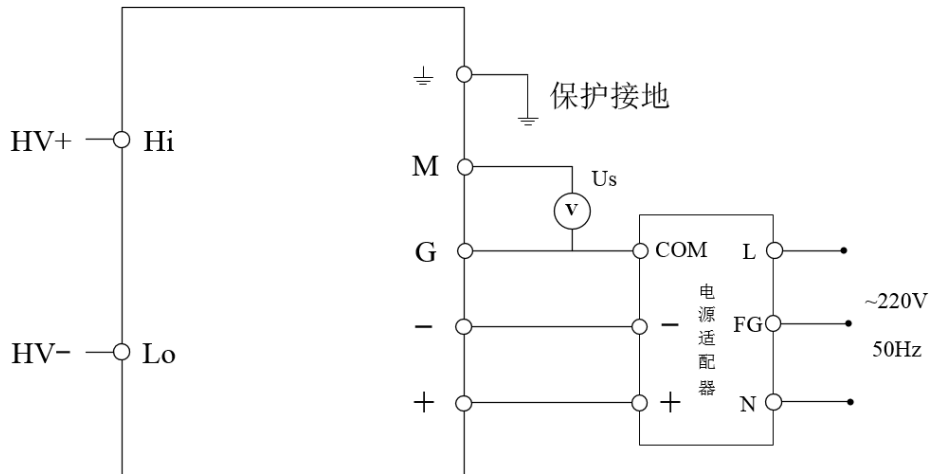
6.3.



2

| | | | | | | | |
|--|---|---|----|------|------|-----|-----|
| | L | N | FG | +18V | -18V | COM | COM |
| | | | | | | | |

7.



3

U_s

U_p

$$U_p = K_N * U_s$$

8.

| 1 | | VSV113-G280T12-N | 1 | |
|---|--|-----------------------|---|--|
| 2 | | VSV113-G280T12-N | 1 | |
| 3 | | 220V 50Hz/IN ±18V/OUT | 1 | |

9.

-
-
-
-

